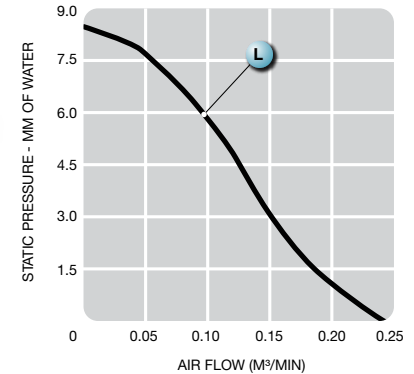
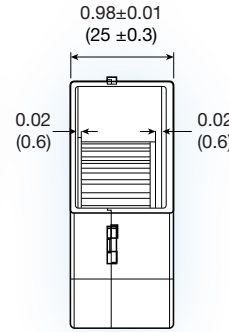
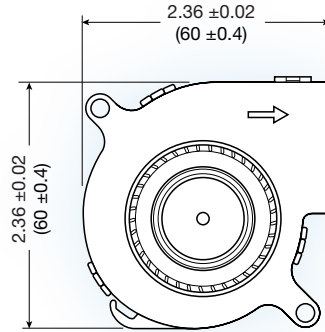


B6025 series



(60 x 60 x 25 mm)

2.36 x 2.36 x 0.98 inches

Construction: UL94V-0 PBT impeller & frame

Bearing option: ball bearing or fluid dynamic bearing

Connection: lead wires

Protection: thermal

Options: tachometer output or locked rotor alarm signal

Model No.	Rated Voltage V	Current mA	Speed RPM	Air Volume		Max. Static Pressure (H ₂ O)		Sound Noise dB(A)	Weight g
				M ³ /Min.	CFM	MM	INCH		
B6025L	12	240	4,000	0.24	8.47	8.30	0.32	40	44